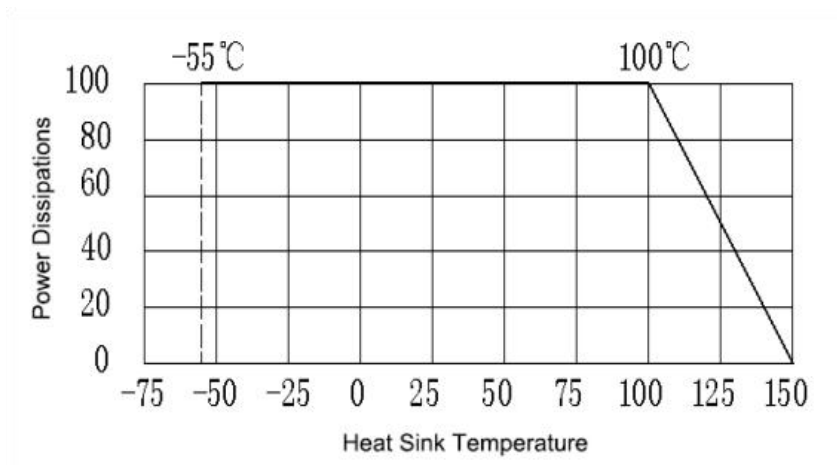


Tab & Cover Terminations

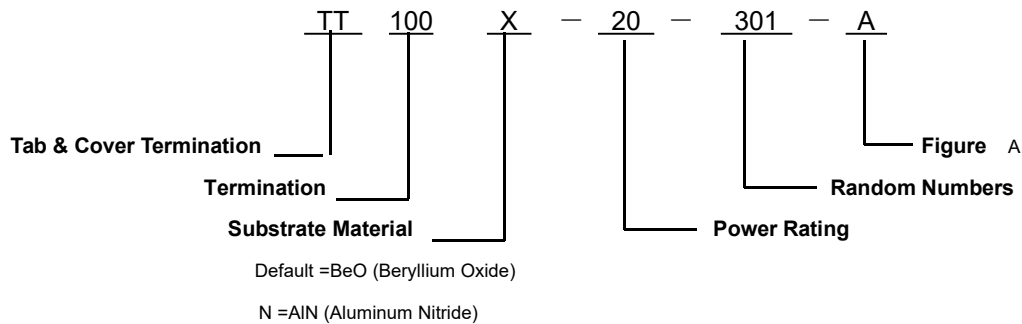
Electrical Features

- ✧ **Nominal Impedance:** 50 Ω
- ✧ **Resistive Tolerance:** $\pm 5\%$ standard; $\pm 3\%$, $\pm 2\%$, $\pm 1\%$ available
- ✧ **Substrate Material:** Beryllium Oxide (BeO)
- ✧ **Power Rating:** 10W-800W
- ✧ **Operating Temperature:** -55°C to $+150^{\circ}\text{C}$
- ✧ **Temperature Coefficient:** $\pm 150\text{ppm}/^{\circ}\text{C}$
- ✧ **Installation Method:** It's tin soldering on the back, the lead wire can be welded with a soldering iron.

Power Derating



HOW TO ORDER



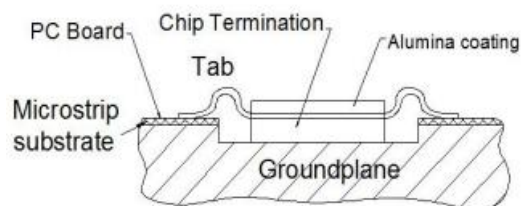
General Specifications and Dimensions

Part Number	Substrate	Power Rating (W)	Frequency Range (GHz)	VSWR (Max.)	Dimensions (mm)		
					L	W	T
TT50-10-710A	BeO	10	DC-18	1.40 : 1	2.54	1.27	1.3
TT50-20-206A	BeO	20	DC-18	1.35 : 1	3.0	2.5	1.5
TT50-30-402A	BeO	30	DC-18	1.30 : 1	2.5	5.0	1.5
TT50-60-106A	BeO	60	DC-6	1.20 : 1	6.0	6.0	1.9
TT50-100-804A	BeO	100	DC-14	1.35 : 1	6.35	6.35	2.4
TT50-100-215A	BeO	100	DC-6	1.25 : 1	6.0	9.0	1.9
TT50-250-019A	BeO	250	DC-3	1.25 : 1	9.5	9.5	2.4
TT50-250-701A	BeO	250	DC-10.5	1.40 : 1	10.0	12.0	2.8
TT50-300-803A	BeO	300	DC-3.5	1.30 : 1	10.0	12.7	2.9
TT50-500-702A	BeO	500	DC-2	1.20 : 1	12.7	12.7	3.3
TT50-800-102A	BeO	800	DC-1	1.20 : 1	26.4	25.4	3.3

* Customized products are available, please consult with Kete.

Installation Instructions

1. When welding devices or leads, it is best to use a temperature-controlled soldering iron and keep the temperature at 260°C.
2. It is best to make an arch bridge shape at the lead (as shown), which can release the ability of thermal deformation to ensure good contact at the lead. Install the lead as little as possible to prevent the lead break.



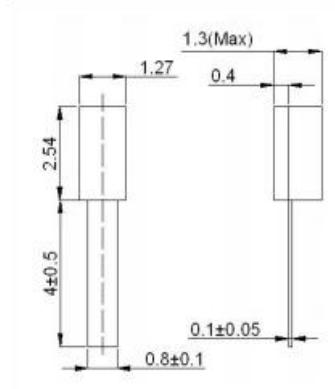
Tab & Cover Terminations

Part Number: TT50-10-710A

Electrical Specifications

- ◇ **Nominal Impedance:** 50 Ω
- ◇ **Resistive Tolerance:** ±5% standard
- ◇ **Substrate Material:** BeO
- ◇ **Power Rating:** 10W
- ◇ **Frequency Range:** DC-18GHz
- ◇ **VSWR:** ≤1.40 : 1
- ◇ **Operating Temperature:** -55°C to +150°C
- ◇ **Temperature Coefficient:** ±150ppm/°C

Outline Drawing (mm)

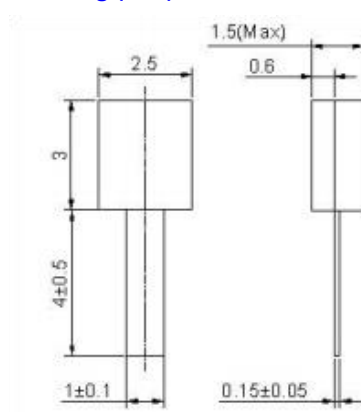


Part Number: TT50-20-206A

Electrical Specifications

- ◇ **Nominal Impedance:** 50 Ω
- ◇ **Resistive Tolerance:** ±5% standard
- ◇ **Substrate Material:** BeO
- ◇ **Power Rating:** 20W
- ◇ **Frequency Range:** DC-18GHz
- ◇ **VSWR:** ≤1.35 : 1
- ◇ **Operating Temperature:** -55°C to +150°C
- ◇ **Temperature Coefficient:** ±150ppm/°C

Outline Drawing (mm)

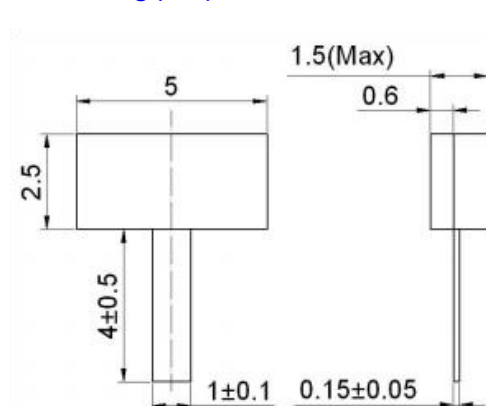


Part Number: TT50-30-402A

Electrical Specifications

- ◇ **Nominal Impedance:** 50 Ω
- ◇ **Resistive Tolerance:** ±5% standard
- ◇ **Substrate Material:** BeO
- ◇ **Power Rating:** 30W
- ◇ **Frequency Range:** DC-18GHz
- ◇ **VSWR:** ≤1.30 : 1
- ◇ **Operating Temperature:** -55°C to +150°C
- ◇ **Temperature Coefficient:** ±150ppm/°C

Outline Drawing (mm)



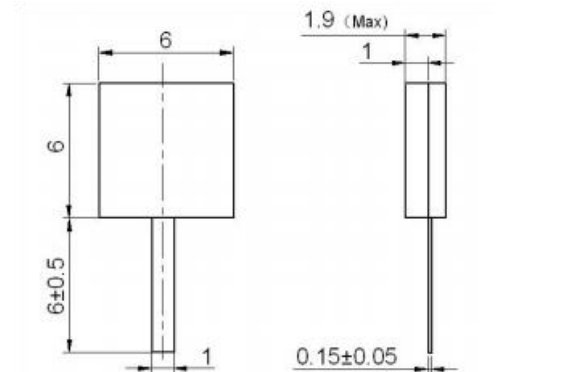
Tab & Cover Terminations

Part Number: TT50-60-106A

Electrical Specifications

- ◇ **Nominal Impedance:** 50 Ω
- ◇ **Resistive Tolerance:** ±5% standard
- ◇ **Substrate Material:** BeO
- ◇ **Power Rating:** 60W
- ◇ **Frequency Range:** DC-6GHz
- ◇ **VSWR:** ≤1.20 : 1
- ◇ **Operating Temperature:** -55°C to +150°C
- ◇ **Temperature Coefficient:** ±150ppm/°C

Outline Drawing (mm)

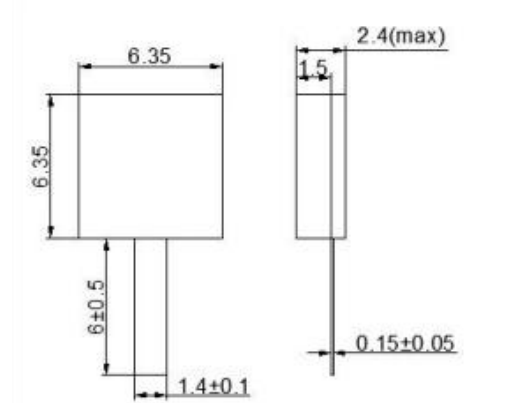


Part Number: TT50-100-804A

Electrical Specifications

- ◇ **Nominal Impedance:** 50 Ω
- ◇ **Resistive Tolerance:** ±5% standard
- ◇ **Substrate Material:** BeO
- ◇ **Power Rating:** 100W
- ◇ **Frequency Range:** DC-14GHz
- ◇ **VSWR:** ≤1.35 : 1
- ◇ **Operating Temperature:** -55°C to +150°C
- ◇ **Temperature Coefficient:** ±150ppm/°C

Outline Drawing (mm)

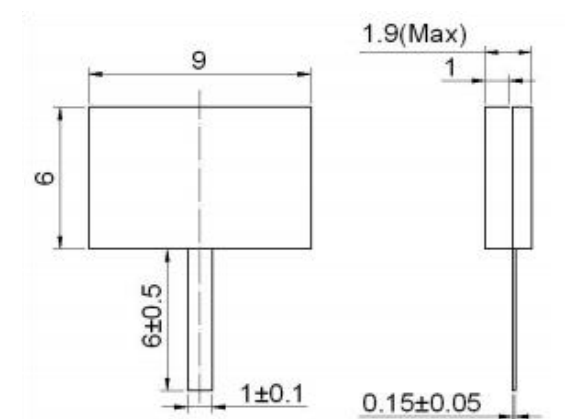


Part Number: TT50-100-215A

Electrical Specifications

- ◇ **Nominal Impedance:** 50 Ω
- ◇ **Resistive Tolerance:** ±5% standard
- ◇ **Substrate Material:** BeO
- ◇ **Power Rating:** 100W
- ◇ **Frequency Range:** DC-6GHz
- ◇ **VSWR:** ≤1.25 : 1
- ◇ **Operating Temperature:** -55°C to +150°C
- ◇ **Temperature Coefficient:** ±150ppm/°C

Outline Drawing (mm)



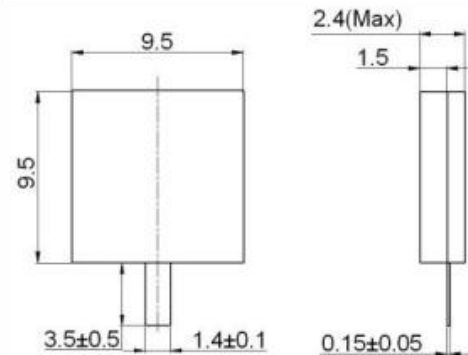
Tab & Cover Terminations

Part Number: TT50-250-019A

Electrical Specifications

- ◇ **Nominal Impedance:** 50 Ω
- ◇ **Resistive Tolerance:** ±5% standard
- ◇ **Substrate Material:** BeO
- ◇ **Power Rating:** 250W
- ◇ **Frequency Range:** DC-3GHz
- ◇ **VSWR:** ≤1.25 : 1
- ◇ **Operating Temperature:** -55°C to +150°C
- ◇ **Temperature Coefficient:** ±150ppm/°C

Outline Drawing (mm)

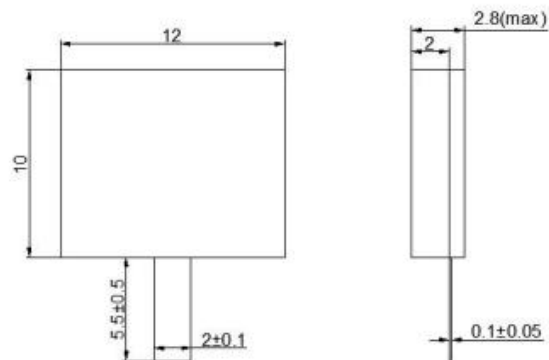


Part Number: TT50-250-701A

Electrical Specifications

- ◇ **Nominal Impedance:** 50 Ω
- ◇ **Resistive Tolerance:** ±5% standard
- ◇ **Substrate Material:** BeO
- ◇ **Power Rating:** 250W
- ◇ **Frequency Range:** DC-10.5GHz
- ◇ **VSWR:** ≤1.40 : 1
- ◇ **Operating Temperature:** -55°C to +150°C
- ◇ **Temperature Coefficient:** ±150ppm/°C

Outline Drawing (mm)

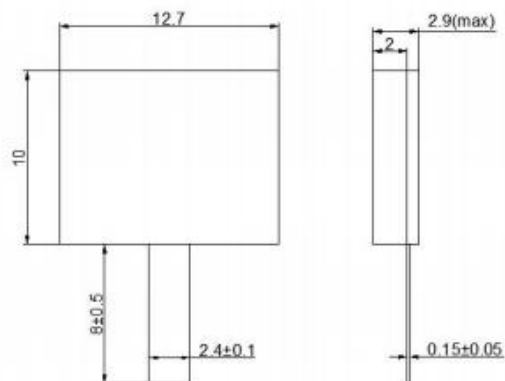


Part Number: TT50-300-803A

Electrical Specifications

- ◇ **Nominal Impedance:** 50 Ω
- ◇ **Resistive Tolerance:** ±5% standard
- ◇ **Substrate Material:** BeO
- ◇ **Power Rating:** 300W
- ◇ **Frequency Range:** DC-3.5GHz
- ◇ **VSWR:** ≤1.30 : 1
- ◇ **Operating Temperature:** -55°C to +150°C
- ◇ **Temperature Coefficient:** ±150ppm/°C

Outline Drawing (mm)



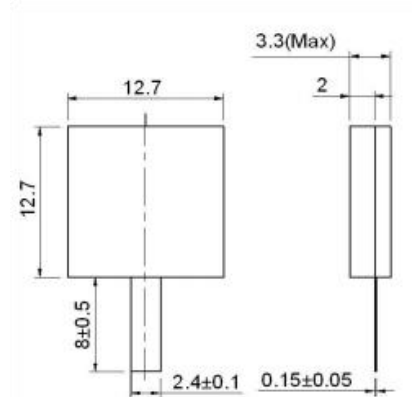
Tab & Cover Terminations

Part Number: TT50-500-702A

Electrical Specifications

- ◇ **Nominal Impedance:** 50 Ω
- ◇ **Resistive Tolerance:** ±5% standard
- ◇ **Substrate Material:** BeO
- ◇ **Power Rating:** 500W
- ◇ **Frequency Range:** DC-2GHz
- ◇ **VSWR:** ≤1.20 : 1
- ◇ **Operating Temperature:** -55°C to +150°C
- ◇ **Temperature Coefficient:** ±150ppm/°C

Outline Drawing (mm)



Part Number: TT50-800-102A

Electrical Specifications

- ◇ **Nominal Impedance:** 50 Ω
- ◇ **Resistive Tolerance:** ±5% standard
- ◇ **Substrate Material:** BeO
- ◇ **Power Rating:** 800W
- ◇ **Frequency Range:** DC-1GHz
- ◇ **VSWR:** ≤1.20 : 1
- ◇ **Operating Temperature:** -55°C to +150°C
- ◇ **Temperature Coefficient:** ±150ppm/°C

Outline Drawing (mm)

